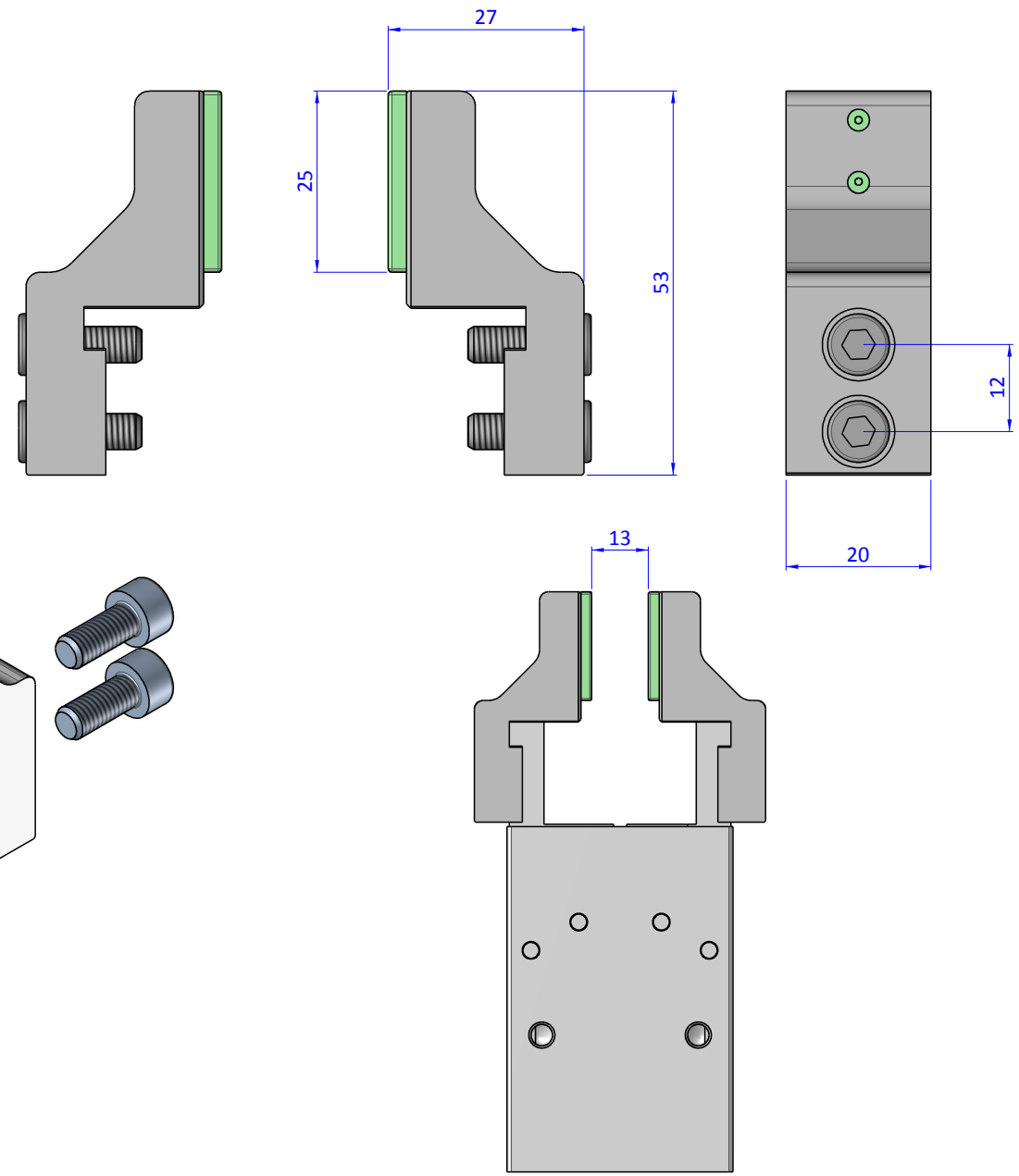
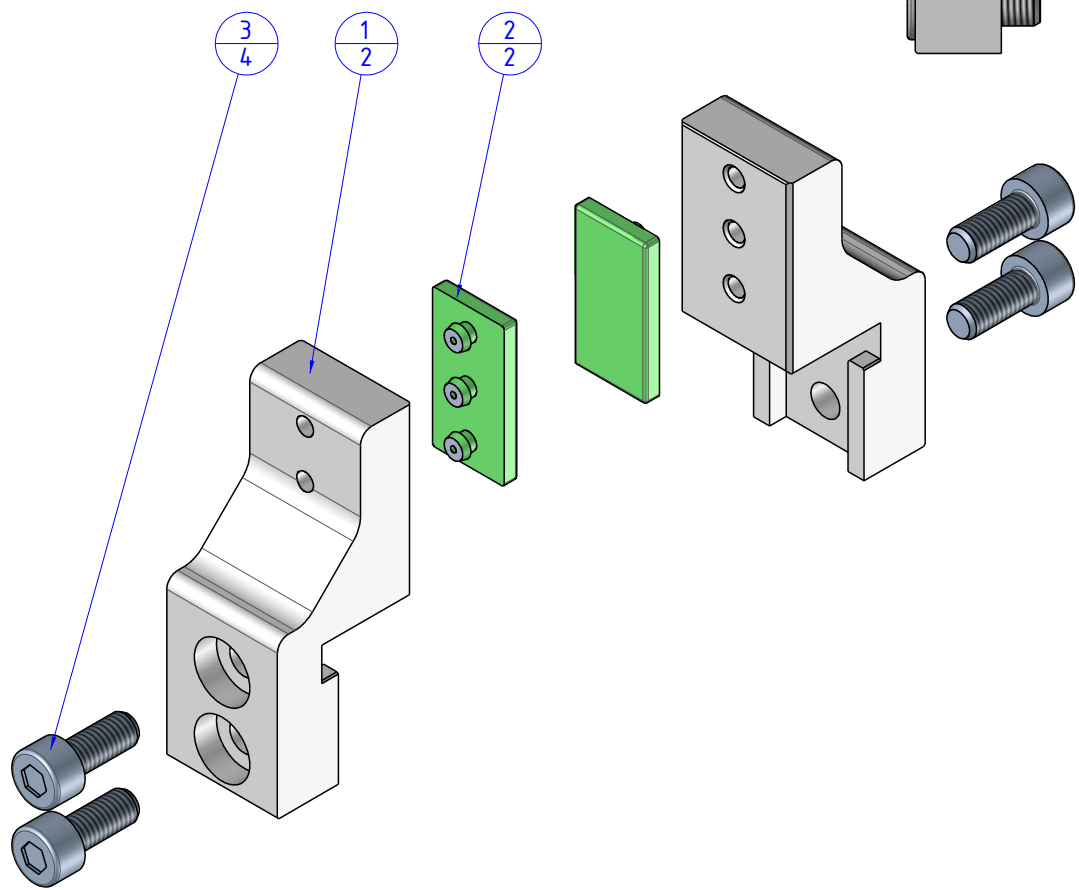


Item	Name	Q.ty
1	KB.25.CGP	2
2	PAC.20.16P.03.V1	2
3	V.TCE5x12	4



THE PROPERTY OF THE DRAWING IS ESTABLISHED BY LAW. IT IS FORBIDDEN TO PRODUCE OR SHOW IT TO THIRD PARTY, WITHOUT A WRITTEN AGREEMENT.

Format A3
UNI 936-76

		DESIGNED FROM		REVIEW
		FPSERVICES		A / 9
GENERAL TOLERANCE		DATE	WEIGHT	
UNI - ISO 2768		26/09/2018	0,078kg	
CLASSE f		CODE		
		CA.KB.25.CGP		CA.KB.25.CGP